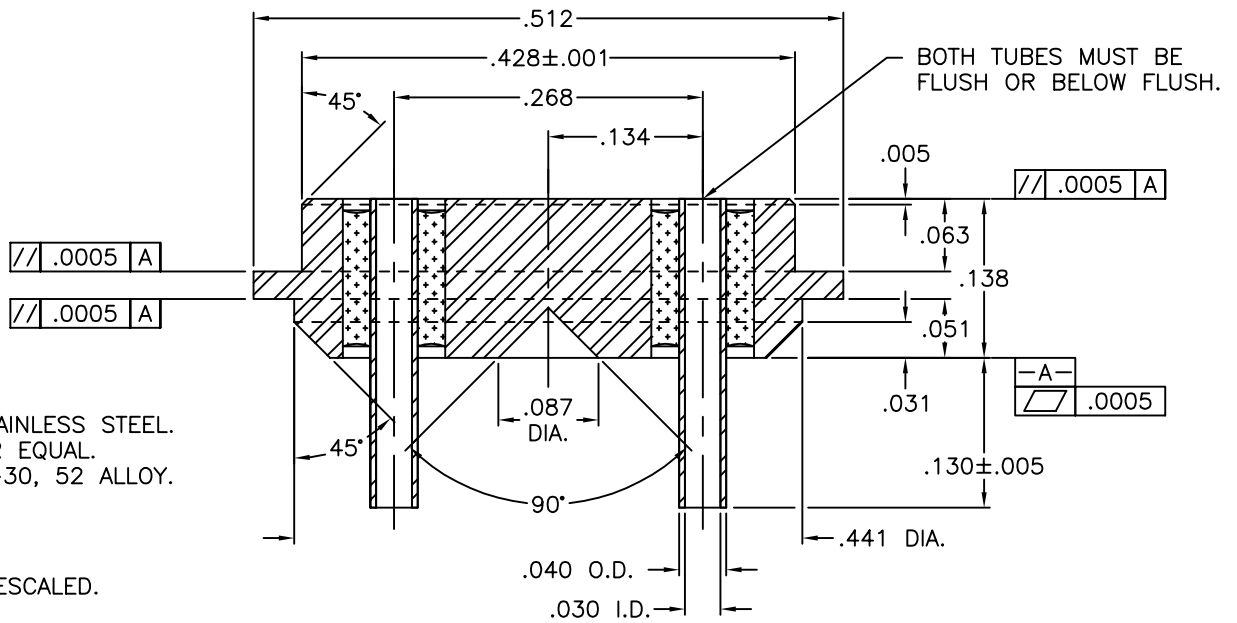
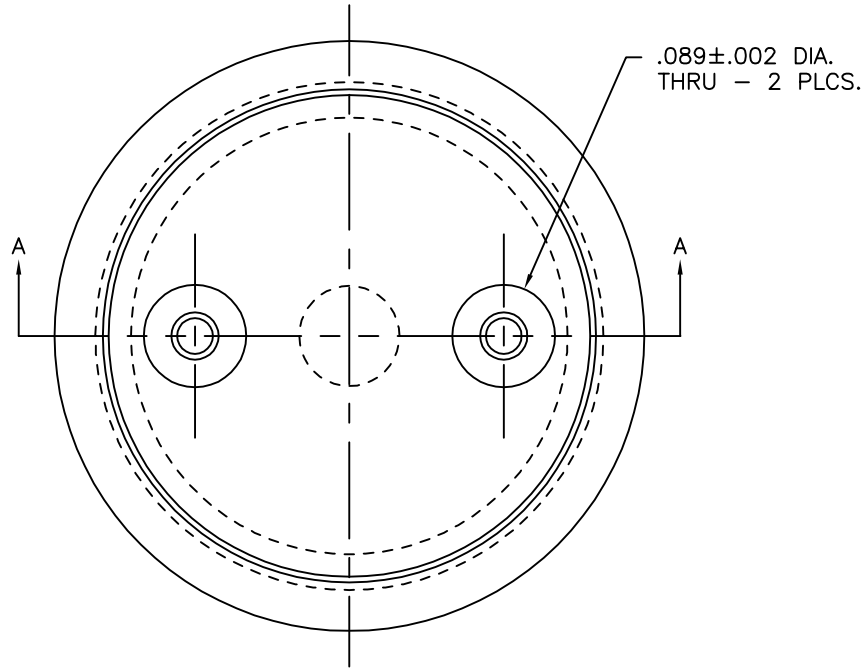



REV	DESCRIPTION OF REVISION	E.C.N.	BY	APPROVED	DATE
A	LEAD LENGTH WAS .112±.005		E.T.W.	B.D.	12-20-12
B	FLATNESS & PARALLEL WAS .0002		E.T.W.	B.D.	12-03-13



MATERIAL:  
 EYELET - 304L STAINLESS STEEL.  
 GLASS - 9013 OR EQUAL.  
 LEADS - ASTM F-30, 52 ALLOY.

PLATING:  
 1. UNPLATE AND DESCALED.

NOTES:  
 1. REMOVE ALL SHARP EDGES, BURRS AND TOOLING MARKS.

DRAWN BY: E.T.W. 10-30-12	MATERIAL: SEE ABOVE			TOLERANCING PER ANSI Y14.5 .X ± .015 .XXX ± .005 .XX ± .010 ANG ± 1/2° UNLESS OTHERWISE SPECIFIED		 6700 W. 47th TERR. MISSION, KS. 66203 TEL: 913-432-2487 FAX: 913-432-0570
	CHECKED BY: E.T.W. 10-30-12	APP. SPECS	SUPERSEDES	NEXT ASSY	SCALE: 6:1	
APPROVED BY:	TITLE: TOP CAP ASSEMBLY				PART NUMBER: EA00112D	B
					FILE: EA00112D	PAGE 1 of 1